

Mustang

Universal beverage dispenser

Sleek, compact design with all the capabilities of large beverage dispensers in a small footprint. Advanced crew facing display incorporates optional second interface, enabling both crew serve and self serve.

COMPACT

Mustang provides innovative beverage dispensing in a small footprint. Only 20.3 cm (8") wide, 31.1 cm (12.25") deep.

CUSTOMIZABLE

Dispense up to 8 brands of your choice, including flavor shots that are configurable as brands.

ADDITIONAL FEATURES

Mustang is configured to be an isolated bar or countertop tower plumbed as a standard bar gun. It features a flow rate of 2 ounces per second, has recirculation capability and is ADA compliant.

UPGRADES AND SUPPORT

Upgrades for brand updates, flavor changes and software are easy using Mustang's USB port.



Wunder-Bar

Automatic Bar Controls Inc. | 2060 Cessna Drive, Suite 100 | Vacaville, CA 95688

OFFICE (707) 448-5151 FAX (707) 448-1521 www.WunderBar.com

LEVERAGING THE INTERNET OF THINGS

Track consumption data and push video content to the rear-facing promotional screen. Telemetry and remote content upgrades are available. Contact your sales lead for details.

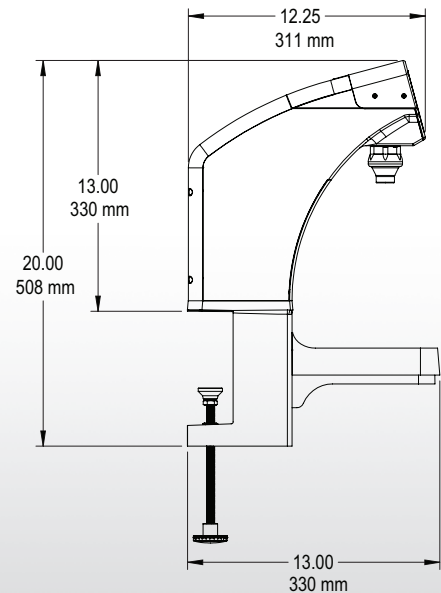
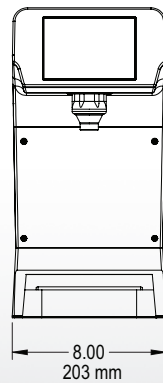
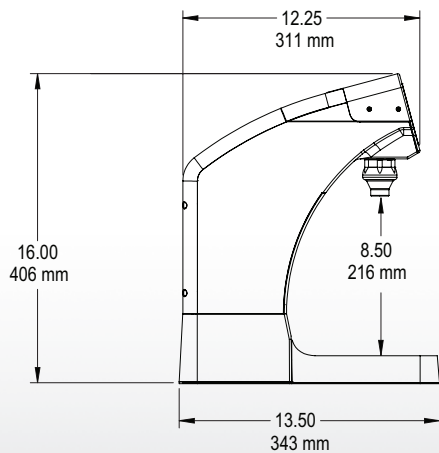
Countertop



With rear screen display



Bar mount



Wunder-Bar

Automatic Bar Controls Inc. | 2060 Cessna Drive, Suite 100 | Vacaville, CA 95688
OFFICE (707) 448-5151 FAX (707) 448-1521 www.WunderBar.com