

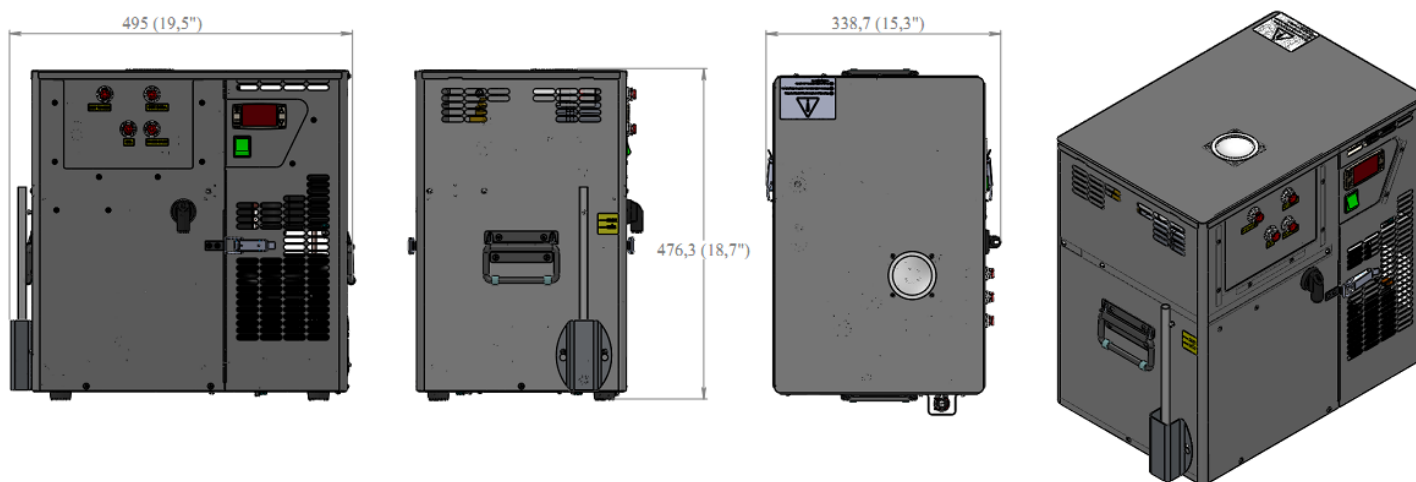
# Post –mix Chiller Carbochill-100

## Specifications



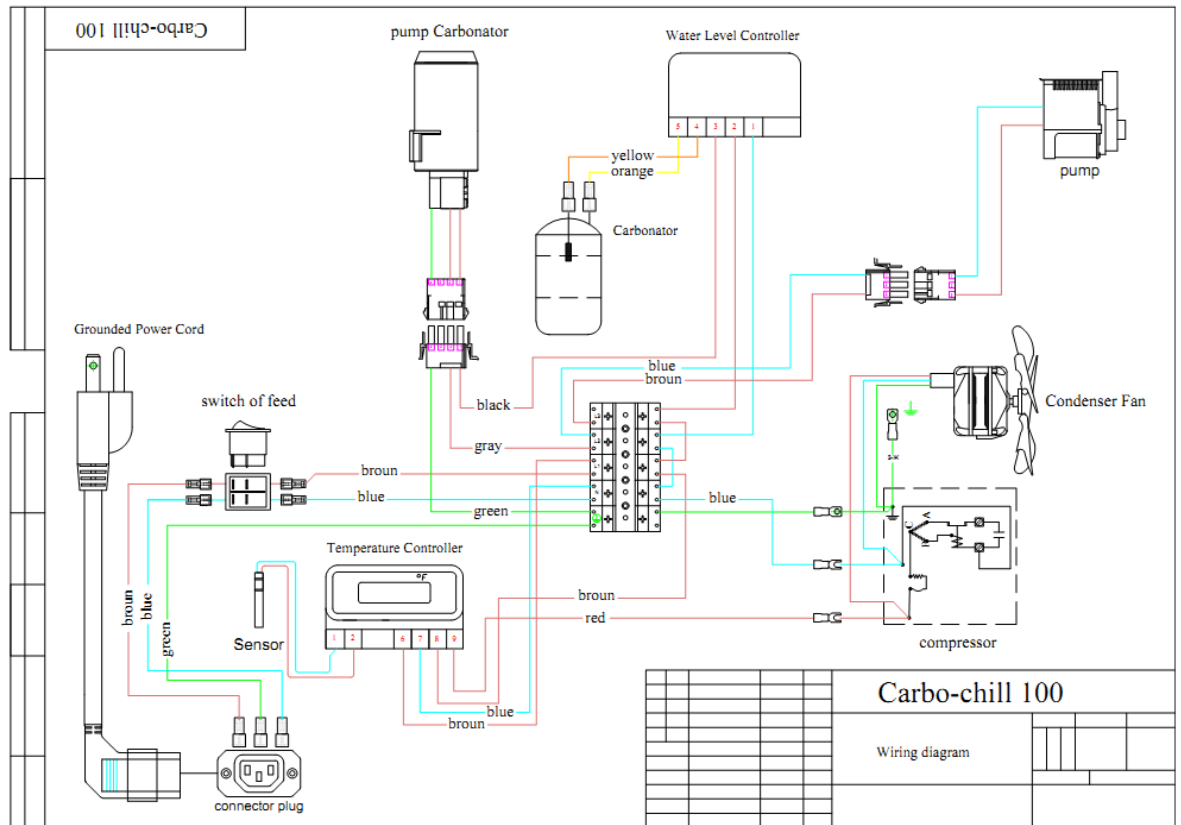
Part Number	
Capacity, GPH ( $\Delta T = 36^{\circ}F$ )	10.5
Water tank volume, G	2.8
Dedicated Circuit, amp	4,5 $\overline{\text{TT}}$
Compressor Power, HP	1/5
Power consumption, Wt	520
Pump Type	Fluid-o-Tech – 9...63 gal/h
Carbonator capacity, GPH	84
Refrigerant	R134a
Ice forming time ( $T_{amb}=75^{\circ}F$ ), h	2
Ice bank, lbs	9,7
Outlet temperature, $^{\circ}F$	38...46
Number of coils	1
Width, in	15.3
Depth, in	19.5
Height, in	18,7
Net Weight, lbs	75
Power cord length, ft	6,6
Operating ambient temperature, $^{\circ}F$	75÷100
Clearance	at least 12" around the entire unit
Refrigerant (R134a) charge, lb	0,309

## Overall dimensions

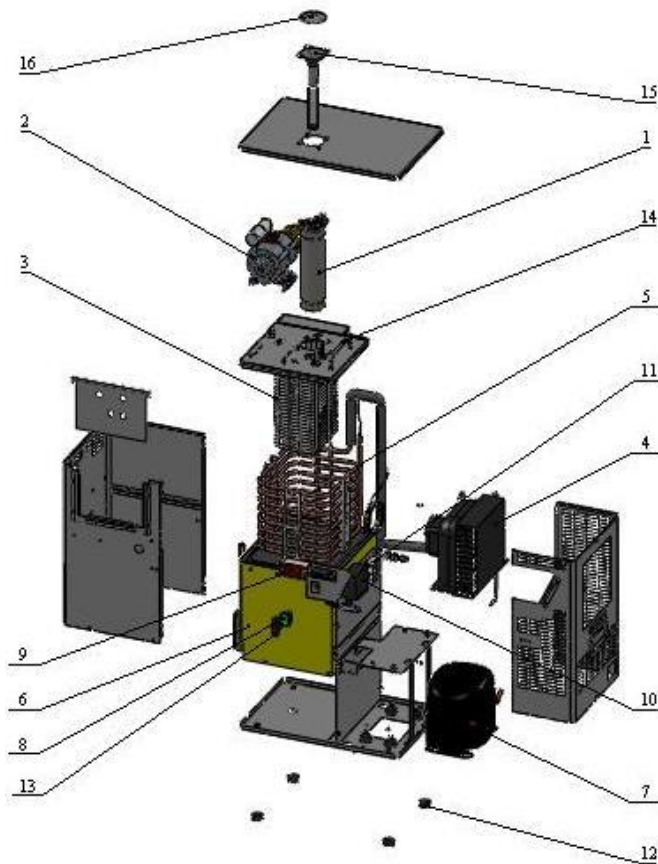


# Post –mix Chiller Carbochill-100

## Wiring diagram



## Parts



1	Carbonator O.D.L. G_480103
2	Pump Fluid-o-Tech CA071 and motor "Ulka" 90P/00
3	Coil (AISI 304 stainless steel)
4	Air condenser "LU-VE" STVF 75
5	Evaporator
6	Water tank
7	Compressor "EMBRACO" NE 6160 Z
8	Power switch "ALRCOLECTRIC" C6053AI
9	Thermostat "DIXELL" XR02CX-4N0F1
10	Level controller "GICAR" NRL30/2E/2R/F
11	Terminal block KL-5P
12	Rubber leg
13	Overflow
14	Handle
15	Water funnel
16	Plastic cover